



The **Alfa Roadway Lighting** luminaires are powered by the Gruppe Crystal OpticLED™ platform, and featuring innovative thermal management design, offers exceptional performance and value. This versatile luminaire can be tailored to the unique specifications of each project by offering multiple drivers, wattage options and dimming options to further maximise energy savings and provide the most cost-effective solution. The Alfa luminaires can be adjusted on-site for optimal photometric performance. This flexibility ensures that the light distributions are specifically adapted to the real needs of the area to be lit.

Using state-of-the-art technology, Alfa luminaires have been designed to fulfil the FutureProof concept. The photometric engine is IP 66 sealed to protect the LEDs and lenses from coming into contact with the outside environment and so maintain photometric performance over time.

The photometry engine and gear compartment can easily be removed (plug & play system), allowing real on-site maintenance and future upgrading technology development. This easy and rapid procedure reduces maintenance costs and contributes to reducing the total cost of ownership. The luminaire is equipped with knife switch safety feature to cut off the power supply when open the device.

#### Application

Roadway, highway, residential, parking, etc.  
Security, perimeter lighting, architecture & landscape.

#### Features

- High pressure die cast aluminium alloy housing.
- Corrosion resistant.
- Finished with polyester powder paint.
- Standard colour grey.
- Tool free maintenance
- Easy access from the top for maintenance.
- Easy replacement of the entire LED module and electronic system by removing the top cover.
- Replaceable electronic unit in gear tray "plug and play".
- Adjustable mounting spigot for tilting and mounting flexibility on pole top or side entry.
- Anti-aging silicone rubber gasket.
- Clear tempered glass protector.
- Clip on closure.
- Operating temperature (Ta) -25°C ~ 50°C.
- Salt spray tested (ISO 9227:2012)
- Anti vibration up to 5G
- Dimming and smart lighting system available upon request.*

#### Characteristic

|   |  |
|---|--|
| Light source                                      | : Mid Power LED  |
| Optical   | : PC Lens modules,<br>Multiple beams<br>Anti glare optic |
| Power correction factor                           | : > 0.9  |
| Insulation  | : Class 1  |
| Compliance  | : IEC 60598-1, IEC 60598-2-3<br>IEC 62722                |
| Ingress Protection (IP)                           | : IP66   |
| Protection against surge (SPD)                    | : 10KA ~ 20KA  |
| Colour rendering (CRI)                            | : ≥ 70   |
| Colour temperature (CCT)                          | : 3000K ~ 6000K  |
| <i>Other CCT &amp; CRI available upon request</i> |  |
| Weight  | : 5.0kg ~ 12.0kg   |

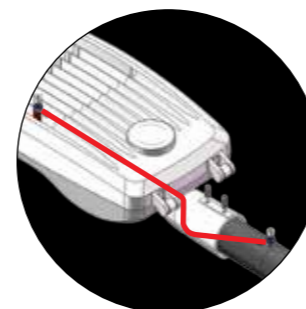
**Option** : Remote Control System & Smart Intelligent System available upon request

# ALFA Roadway Lighting

## The connected intelligent road luminaire...

- ThermalSafe®
- GlareSafe®
- TightSafe®
- Smart Intelligent System *itouch*™
- Future Proof
- Anti Drop System

Anti Drop System



Robust, Slim Sleek design



Energy saving with remote control system



Network for smart intelligent system

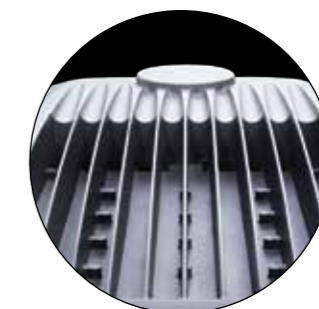
GlareSafe® Multiple lens



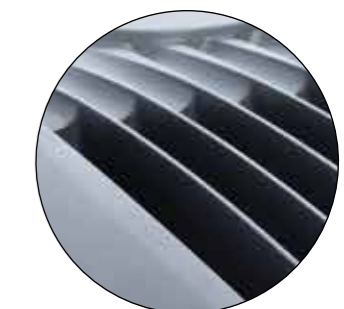
Good heat dissipation and Air ventilation



IOT Ready



ThermalSafe® Thermal system





Flexibility (Plug & Play System)

# ALFA

The luminaire various sizes and its photometric versatility makes it perfectly suited to multiple road & public lighting applications



Tool Free Opening Clip



High Power LED



Top Opening Easy Maintenance



Knife Switch



Side Entry



Post Top

## Specification

|                                  |  |
|----------------------------------|--|
| Type                             | Alfa series  |
| Light source                     | LED-module   |
| Wattage                          | 30W ~ 240W   |
| Nominal efficacy                 | 100 ~ 120 lm/W   |
| Color Temperature (CCT)          | 3000K ~ 6000K  |
| Color rendering Index (CRI)      | ≥ 70. <i>Other CRI available upon request (≥ 80, ≥ 90)</i>   |
| Useful life                      | 50,000 hours ~ <i>Base on the light source</i>   |
| Operating temperature range (Ta) | -25°C~ 50°C  |
| Driver                           | Built-in electronic system   |
| Main voltage                     | 100~277V / 50~60Hz   |
| Options                          | Dimming system<br>Photocell<br>Nema socket (7 pin)   |
| Optical lens photometry          | T2A, T3A, T4A, T3, T4, T5, T12, T13, T14<br><i>* Refer to the Lens application page</i>  |
| Material                         | Housing : High pressure die-cast aluminium alloy<br>Protector : Clear tempered flat glass<br>Finishing : Polyester powder paint  |
| Color                            | Grey<br><i>Other RAL colors available on request</i>   |
| Maintenance                      | Easy access from the top. Replacement of the entire module & electronic system by removing top cover.<br>Replaceable mounting in gear tray "plug and play"                 |
| Installation                     | Post top : 60 mm<br>Side entry : 60mm<br>Recommended mounting height : 6m ~ 15m<br>Standard tilt angle post top : 0, -5° and -10°<br>Adjustable tilt angle 0, -5° and -10° |

## Ordering Code Dimensions

| Code     | Wattage | Leds | Nominal Flux | a   | b   | c   | d   | e   | f  |
|----------|---------|------|--------------|-----|-----|-----|-----|-----|----|
| ALF03040 | 30W     | 12   | 3300         | 445 | 350 | 230 | 121 | 85  | 60 |
| ALF06040 | 60W     | 24   | 6600         | 495 | 400 | 230 | 121 | 85  | 60 |
| ALF09040 | 90W     | 48   | 9900         | 670 | 570 | 280 | 138 | 110 | 60 |
| ALF12040 | 120W    | 48   | 13200        | 720 | 620 | 290 | 138 | 110 | 60 |
| ALF15040 | 150W    | 60   | 16500        | 720 | 620 | 290 | 138 | 110 | 60 |
| ALF18040 | 180W    | 80   | 19800        | 830 | 730 | 345 | 138 | 110 | 60 |
| ALF20040 | 200W    | 96   | 22000        | 830 | 730 | 345 | 138 | 110 | 60 |
| ALF24040 | 240W    | 112  | 26400        | 830 | 730 | 345 | 138 | 110 | 60 |

\* The above ordering code is base on CCT~4000K

