



# ICON-UFO

## The technology of workspace...

Light Weight  
Robust Design  
Flexibility  
Reliability

The ICON UFO highbay is designed for industrial lighting adopting the newest LED lighting technology with 180 lm/w light efficiency. High grade materials and perfect workmanship provide excellent cooling abilities and a long lifespan with 5 year warranty.

Pleasant Appearance, Compact & Robust  
Convenient and Sturdy

### Application

Factories, warehouses, logistic halls, production facilities, exhibition halls, showrooms, indoor arena & Etc.  
Mounting height : 4m ~ 16m

### Features

High pressure diecast aluminium alloy housing.  
Corrosion resistant.  
Finished with polyester powder paint.  
Standard colour black.  
Anti-aging silicon rubber gasket.  
Clear acrylic protector.  
Integral control gear mounted on the housing for easy maintenance.  
Stainless steel screws.  
Operating temperature (Ta) -10°C ~ 40°C.  
*Dimming and smart lighting system available upon request.*

### Characteristic

Light source	:	LED
Power correction factor	:	> 0.95
Insulation	:	Class II
Compliance	:	IEC 60598-1
Index Protection (IP)	:	IP 65
Colour rendering (CRI)	:	≥ 70
Colour temperature (CCT)	:	3000K ~ 6500K
Other CCT & CRI available upon request		
Weight	:	5.3 kg ~ 11.0 kg

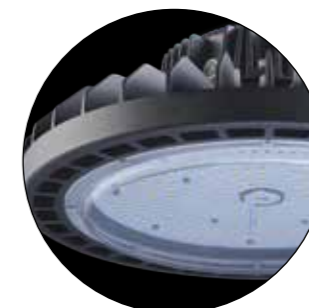
### Simplicity & Light Weight



### ThermalSafe® Thermal system



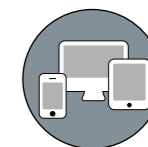
### LED Chip



### Option : Remote Control System & Dimming Control System (Microwave sensor) upon request



Energy Saving with Remote control system



Network for Dimming Control System

### Robust, Slim sleek design



# ICON-UFO

The luminaires various sizes makes it perfectly suited for Factories, warehouses, logistic halls, production facilities, exhibition halls, showrooms, indoor Stadiums & Etc.



Unscrew the reflector



Detachable Driver

## Specification

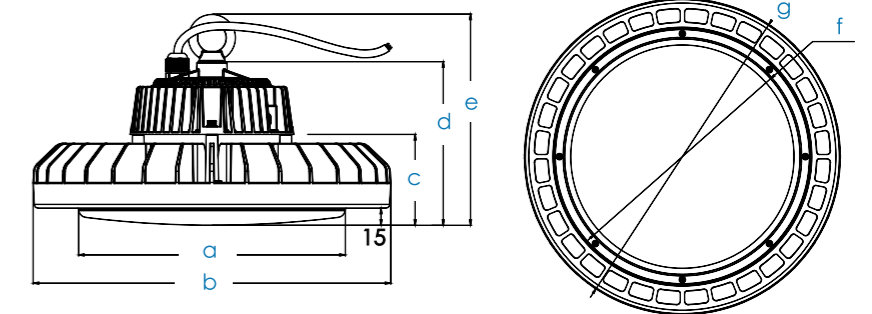
Type	ICON - UFO
Light source	LED
Wattage	100W ~ 200W
Nominal efficacy	120 - 140 lm/W ~ 180 lm/W upon request
Color temperature (CCT)	3000K ~ 6000K
Color rendering Index (CRI)	≥ 70. Other CRI available upon request (≥ 80, ≥ 90)
Useful life	50,000 hours ~ Base on the light source
Operating temperature range (Ta)	-10° ~ 40°
Driver	Built-in electronic system
Main voltage	AC 200-240V / 50~60Hz
Options	Dimming Sensor dimming control system
Material	Housing : High pressure die cast aluminium Protector : Clear acrylic protector Finishing : Polyester powder paint
Color	Black
Optional	iTouch IOT System, DALi dimming control system Sensor system

## Ordering Code Dimensions

Code	Wattage	Nominal Flux	CCT	a	b	c	d	e	f	g
ICNUFO10060	100W	13000	6000	194	280	80	145	188	194	280
ICNUFO15060	150W	19500	6000	194	280	80	145	188	194	280
ICNUFO20060	200W	26000	6000	238	320	80	145	188	238	320

\* The above ordering code is base on CCT~6000K

Dimensions (mm)



Photometry ~ 200W

