

## ■ SPOT III Flood Lighting



### Application

Security, Facade, Industrial, Warehouse, Community  
 Architectural and Landscape.

### Characteristic

Light source	: SMD 2835
Power correction factor	: > 0.9
Ingress Protection (IP)	: IP65
Colour rendering (CRI)	: ≥ 70
Colour temperature (CCT)	: 3000K & 6500K
<i>Other CCT &amp; CRI available upon request</i>	
Luminaire Weight	: 0.3 kg ~ 4.7 kg
Beam Angle	: 110°
Wattage	: 10W ~ 300W
Nominal efficacy	: 90 lm/W
Useful life	: > 30,000 hours ~ Base on the light source
Operating temperature range (Ta)	: -20°C ~ 50°C
Driver	: Driver on Board
Main voltage	: 100 ~ 260V / 50 ~ 60Hz

### Features

- Die cast aluminium
- Pleasant appearance
- Robust & compact
- Standard colour black
- Sturdy & light weight
- Affordable, economical & convenient
- Tempered glass
- Microwave\* / Motion Sensor\*

\* Item upon request

### Product Speciality



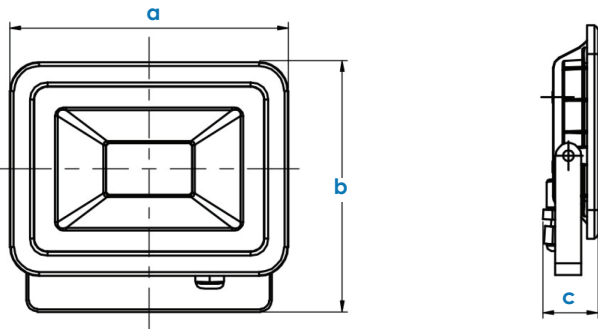
Light Weight

**Ordering Code Dimension : SPOT III**

Code	Wattage	Nominal Flux	a	b	c	Weight(kg)
ST301065	10W	900	108	102	28	0.3
ST302065	20W	1800	121	116	28	0.3
ST303065	30W	2700	161	145	32	0.5
ST305065	50W	4500	206	192	33	0.8
ST310065	100W	9000	270	241	33	1.3
ST315065	150W	13500	270	241	33	1.7
ST320065	200W	18000	380	327	38	3.1
ST330065	300W	27000	446	378	45	4.7

\* The above ordering code is base on CCT~6500K

**Dimension (mm)**



**Photometry 110D**

