

■ UNIVERSAL Flood Lighting



Application

Highmast, Sports, Underpass, Tunnel, Security, Port, Airport, Facade
 Industrial. Architectural, landscape, Multipurpose Hall

Characteristic

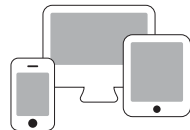
Light source	: High Power LED
Optical	: Multiple Beam : PC lens modules : Anti glare reflector
Power correction factor	: > 0.9
Insulation	: Class 1
Compliance	: MS IEC 60598-1 MS IEC 60598-2-5
Ingress Protection (IP)	: IP66
Protection against surge (SPD)	: 20KA
Colour rendering (CRI)	: ≥ 70
Colour temperature (CCT)	: 3000K ~ 6000K
<i>Other CCT & CRI available upon request</i>	
Weight	: 7.4kg - 21.0kg
Wattage	: 100W ~ 480W
Nominal efficacy	: 110 ~ 150 lm/W
Useful life	: 50,000 hours ~ Base on the light source
Operating temperature range (Ta)	: -25°C ~ 50°C
Driver	: Built-in high efficiency system
Main voltage	: 100~240V / 50~60Hz

Optional

Remote Control System & Smart
 Intelligent System available upon request



Energy saving with
 remote control system



Network for
 smart intelligent system

Features

- High pressure die cast aluminium alloy housing.
- Corrosion resistant.
- Finished with polyester powder paint.
- Bracket made of galvanized steel painted in grey color.
- Anti-aging silicone rubber gasket.
- Clear tempered glass.
- Stainless steel screws.
- Anti vibration up to 5G
- Easy replacement of the entire LED module and electronic system by removing the gear.

Product Speciality



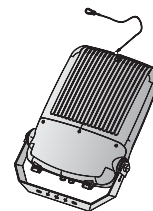
Adjustable Angle



Safety Hook



Knife Switch



Anti Drop System

Ordering Code Dimension : UNIVERSAL

Code	Wattage	Leds	Nominal Flux	a	b	c	d	Weight(kg)
UNI10050	100W	36	12000	386	488	416	81	8.2
UNI12050	120W	36	14400	386	488	416	81	8.2
UNI15050	150W	48	18000	386	488	416	81	8.2
UNI18050	180W	80	21600	461	594	508	94	12.0
UNI24050	240W	96	28800	461	594	508	94	12.2
UNI30050	300W	96	36000	461	594	508	94	12.2
UNI32050	320W	120	38400	560	730	660	108	19.2
UNI42050	420W	144	50400	560	730	660	108	19.8
UNI48050	480W	168	57600	560	730	660	108	19.8

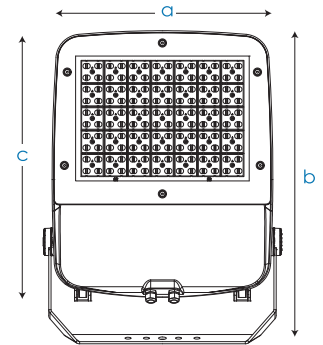
* The above ordering code is base on CCT~5000K

Ordering Code Dimension : UNZ

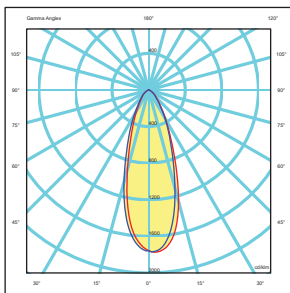
Code	Wattage	Leds	Nominal Flux	a	b	c	d	Weight(kg)
UNZ10050	100W	36	12500	386	488	416	81	7.4
UNZ12050	120W	48	15000	386	488	416	81	7.7
UNZ15050	150W	48	18750	386	488	416	81	7.7
UNZ18050	180W	96	22500	461	594	508	94	11.0
UNZ24050	240W	96	30000	461	594	508	94	11.5
UNZ30050	300W	96	37500	461	594	508	94	12.5
UNZ35050	350W	144	43750	560	730	660	108	20.0
UNZ40050	400W	144	50000	560	730	660	108	21.0
UNZ48050	480W	168	60000	560	730	660	108	21.0

* The above ordering code is base on CCT~5000K

Dimension (mm)



Photometry T25



Photometry T60

