

■ ICON UFO Industrial Lighting

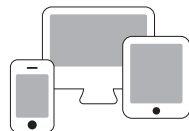


Optional

Remote Control System & Smart Intelligent System available upon request



Energy saving with remote control system



Network for smart intelligent system

Application

Factories, Warehouses, Logistic Halls, Production Facilities, Exhibition Halls, Showrooms, Indoor Arena.

Characteristic

| | |
|---|---|
| Light source | : LED |
| Power correction factor | : > 0.95 |
| Insulation | : Class 1 |
| Compliance | : MS IEC 60598-1 |
| Ingress Protection (IP) | : IP65 |
| Colour rendering (CRI) | : ≥ 70 |
| Colour temperature (CCT) | : 3000K ~ 6000K |
| <i>Other CCT & CRI available upon request</i> | |
| Weight | : 3.5kg ~ 4.3kg |
| Mounting Height | : 4m ~ 16m |
| Wattage | : 100W ~ 200W |
| Nominal efficacy | : 120 ~ 150 lm/W |
| Useful life | : > 50,000 hours ~ Base on the light source |
| Operating temperature range (Ta) | : -30°C ~ 55°C |
| Driver | : Built-in high efficiency system |
| Main voltage | : AC 200 ~ 240V / 50~60Hz |

Features

- High pressure diecast aluminium housing.
- Corrosion resistant.
- Finished with polyester powder paint.
- Standard colour black.
- Anti-aging silicon rubber gasket.
- Clear PC cover
- Integral control gear mounted on the housing for easy maintenance.
- Stainless steel screws.

Product Speciality



Simplicity & Light Weight



Detachable Driver



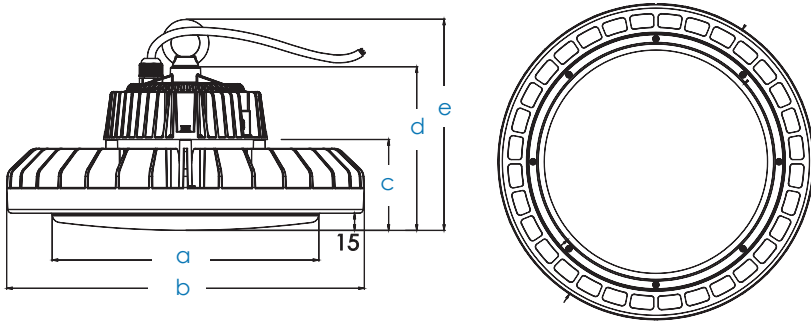
ThermalSafe®
Thermal system

Ordering Code Dimension : ICON UFO

| Code | Wattage | Nominal Flux | a | b | c | d | e | Weight(kg) |
|----------|---------|--------------|-----|-----|----|-----|-----|------------|
| UFO10060 | 100W | 13000 | 194 | 280 | 80 | 145 | 188 | 3.5 |
| UFO15060 | 150W | 19500 | 194 | 280 | 80 | 145 | 188 | 3.5 |
| UFO20060 | 200W | 26000 | 238 | 320 | 80 | 335 | 188 | 4.3 |

* The above ordering code is base on CCT~6000K

Dimension (mm)



Photometry 110D

