

■ ICON UFO-UGR Industrial Lighting

www.gruppelighting.com

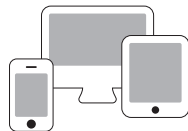


Optional

Remote Control System & Smart Intelligent System available upon request



Energy saving with remote control system



Network for smart intelligent system

Application

Multipurpose Hall, Sport Arena, Auditorium, Shopping Complex, Warehouse.

Characteristic

Light source	: LED
Power correction factor	: > 0.9
Insulation	: Class 1
Compliance	: IEC 60598-1
Ingress Protection (IP)	: IP65
Colour rendering (CRI)	: ≥ 70
Colour temperature (CCT)	: 3000K ~ 6000K
<i>Other CCT & CRI available upon request</i>	
Weight	: 5.3kg ~ 9.0kg
Wattage	: 100W ~ 300W
Nominal efficacy	: 130 ~ 150 lm/W
Useful life	: > 50,000 hours ~Base on the light source
Operating temperature range (Ta)	: -30°C~ 50°C
Driver	: Built-in high efficiency system
Main voltage	: AC 100 ~ 277V / 50~60Hz

Features

- High pressure diecast aluminium housing.
- Finished with polyester powder paint.
- Standard colour black.
- Anti-aging silicon rubber gasket.
- Integral control gear mounted on the housing for easy maintenance.
- Stainless steel screws.
- Low glare honeycomb reflector

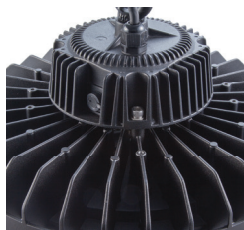
Product Speciality



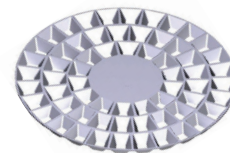
Simplicity & Light Weight



Detachable Driver



ThermalSafe®
Thermal system



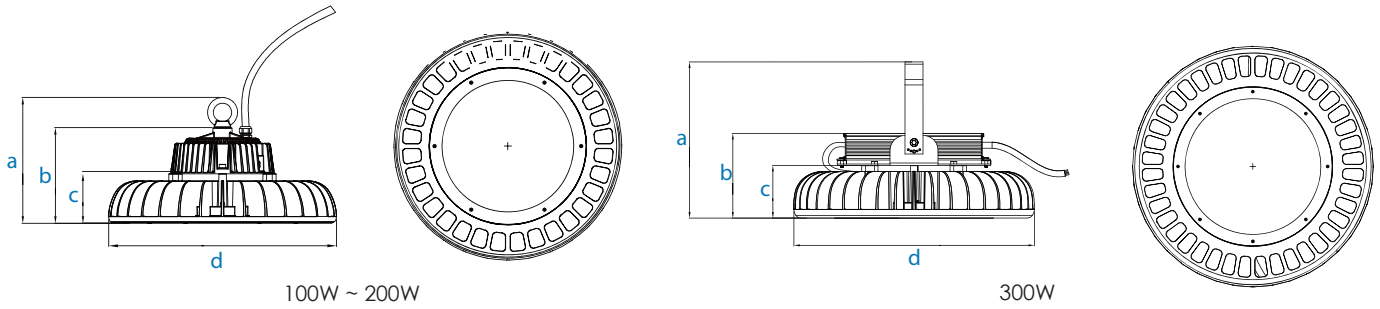
UGR Reflector

Ordering Code Dimension : ICON UFO-UGR

Code	Wattage	Nominal Flux	a	b	c	d	Weight(kg)
UGR10060	100W	13000	177	134	70	320	5.3
UGR15060	150W	19500	177	134	70	320	5.3
UGR20060	200W	26000	180	137	73	365	7.0
UGR30060	300W	39000	260	141	88	400	9.0

* The above ordering code is base on CCT~6000K

Dimension (mm)



Photometry 110D

