

■ PERCORSO III Road Lighting

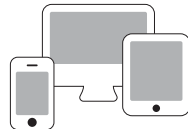


Optional

Remote Control System & Smart Intelligent System available upon request



Energy saving with remote control system



Network for smart intelligent system

Application

Perimeter, Roadway, Parking, Compound, Architectural and Landscape.

Characteristic

Light source	: LED
Optical	: PC Lens modules, : Multiple beams : Anti glare optic
Power correction factor	: > 0.9
Insulation	: Class 1
Compliance	: MS IEC 60598-1, MS IEC 60598-2-3 IEC 62722
Ingress Protection (IP)	: IP66
Protection against surge (SPD)	: 10KA ~ 20KA
Colour rendering (CRI)	: ≥ 70
Colour temperature (CCT)	: 3000K ~ 6000K
<i>Other CCT & CRI available upon request</i>	
Weight	: 5.5kg ~16.0kg
Wattage	: 40W ~ 200W
Nominal efficacy	: 110 ~ 140 lm/W
Useful life	: > 50,000 hours ~ Base on the light source
Operating temperature range (Ta)	: -25°C~ 50°C
Driver	: Built-in high efficiency system
Main voltage	: 100~240V / 50~60Hz

Features

- High pressure die cast aluminium alloy housing.
- Corrosion resistant.
- Finished with polyester powder paint.
- Standard colour grey.
- Clip on closure.
- Flexibility on pole top or side entry.
- Adjustable mounting spigot for tilting and mounting.
- Anti-aging silicone rubber gasket.

- Clear tempered glass.
- Tool free maintenance.
- Easy access from the top for maintenance.
- Easy replacement of the entire LED module and electronic system by removing the top cover.
- Replaceable electronic unit in gear tray "plug and play".
- Double Clip on closure.

Product Speciality



Robust & Sleek Design



GlareSafe®
Multiple lens



ThermalSafe®
Thermal system

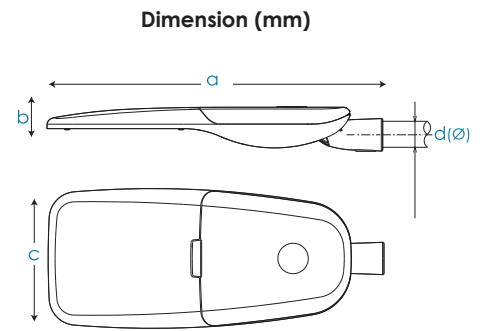


TightSafe®

Ordering Code Dimension : PERCORSO III

Code	Wattage	Leds	Nominal Flux	a	b	c	d	Weight(kg)
PE304030	40W	24	5200	525	102	250	60	5.5
PE306030	60W	24	7800	525	102	250	60	6.2
PE308030	80W	32	10400	525	102	250	60	6.3
PE310030	100W	48	13000	625	102	288	60	7.6
PE312030	120W	48	15600	625	102	288	60	7.6
PE315030	150W	64	19500	775	102	320	60	10.6
PE318030	180W	64	23400	775	102	320	60	10.6

* The above ordering code is base on CCT~3000K

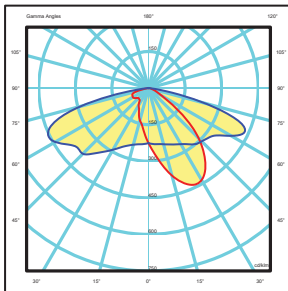


Ordering Code Dimension : P3Z

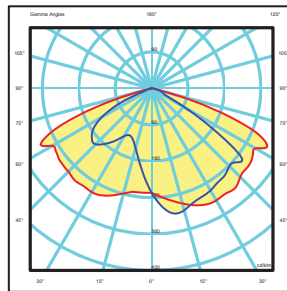
Code	Wattage	Leds	Nominal Flux	a	b	c	d	Weight(kg)
P3Z04030	40W	24	5200	525	105	255	60	5.5
P3Z06030	60W	24	7800	525	105	255	60	5.6
P3Z08030	80W	32	10400	625	105	290	60	7.0
P3Z10030	100W	48	13000	625	105	290	60	7.0
P3Z12030	120W	48	15600	780	105	325	60	9.8
P3Z15030	150W	64	19500	780	105	325	60	9.9
P3Z18030	180W	64	23400	780	105	325	60	9.9
P3Z20030	200W	96	26000	950	110	438	76	16.0

* The above ordering code is base on CCT~3000K

Photometry T2A



Photometry T3A



Photometry T3M

