

■ PERCORSO X Road Lighting

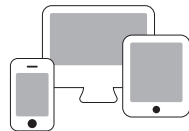


Optional

Remote Control System & Smart Intelligent System available upon request



Energy saving with remote control system



Network for smart intelligent system

Application

Perimeter, Roadway, Parking, Compound, Architectural and Landscape.

Characteristic

Light source	: LED
Optical	: PC Lens modules : Multiple beams : Anti glare optic
Power correction factor	: > 0.9
Insulation	: Class 1
Compliance	: MS IEC 60598-1, MS IEC 60598-2-3 IEC 62722
Ingress Protection (IP)	: IP66
Protection against surge (SPD)	: 10KA ~ 20KA
Colour rendering (CRI)	: ≥ 70
Colour temperature (CCT)	: 3000K ~ 6000K
<i>Other CCT & CRI available upon request</i>	
Weight	: 5.5kg ~ 15kg
Wattage	: 30W ~ 240W
Nominal efficacy	: 110 ~ 135 lm/W
Useful life	: > 50,000 hours ~ <i>Base on the light source</i>
Operating temperature range (Ta)	: -25°C~ 50°C
Driver	: Built-in high efficiency system
Main voltage	: 100~277V / 50~60Hz

Features

- High pressure die cast aluminium alloy housing.
- Corrosion resistant
- Finished with polyester powder paint.
- Standard colour grey.
- Double clip on closure.
- Adjustable spigot for tilting and mounting.
- Flexibility on pole top or side entry.
- Anti-aging silicone rubber gasket.

- Tool free maintenance
- Clear tempered glass.
- Tool free maintenance.
- Easy access from the top for maintenance.
- Easy replacement of the entire LED module and electronic system by removing the top cover.
- Replaceable electronic unit in gear tray "plug and play".

Product Speciality



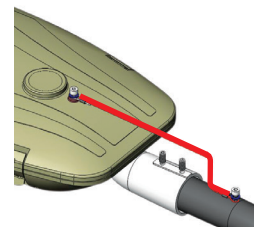
Easy Maintenance



GlareSafe®
Multiple lens



ThermalSafe®
Thermal system

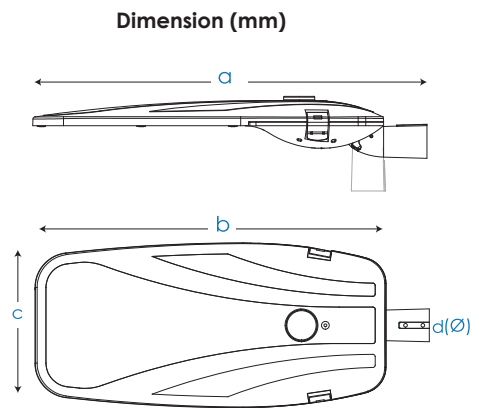


Anti Drop System

Ordering Code Dimension : PERCORSO X

Code	Wattage	Leds	Nominal Flux	a	b	c	d	Weight(kg)
PEX06030	60W	24	6900	720	610	360	60	7.5
PEX09030	90W	48	10350	720	610	360	60	7.7
PEX12030	120W	48	13800	760	660	360	60	8.5
PEX15030	150W	64	17250	760	660	380	60	8.7
PEX18030	180W	80	20700	910	810	380	60	14.3
PEX20030	200W	96	23000	910	810	380	60	14.5
PEX24030	240W	112	27600	910	810	380	60	14.7

* The above ordering code is base on CCT~3000K

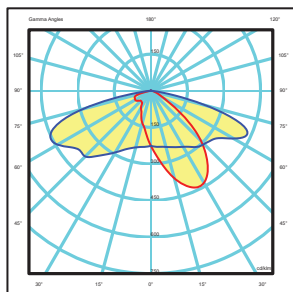


Ordering Code Dimension : PXZ

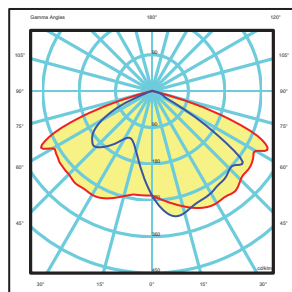
Code	Wattage	Leds	Nominal Flux	a	b	c	Weight(kg)
PXZ03030	30W	12	3900	580	300	138	5.5
PXZ06030	60W	24	7800	630	300	138	6.2
PXZ09030	90W	48	11700	720	360	138	7.2
PXZ12030	120W	48	15600	720	360	138	7.5
PXZ15030	150W	64	19500	770	360	138	8.3
PXZ18030	180W	64	23400	770	360	138	8.3

* The above ordering code is base on CCT~3000K

Photometry T2A



Photometry T3A



Photometry T3M

