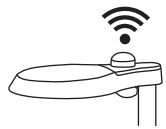


# OPUS Road Lighting

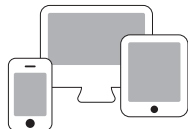


### Optional

Remote Control System & Smart Intelligent System available upon request



Energy saving with remote control system



Network for smart intelligent system

### Application

Perimeter, Roadway, Parking, Compound, Architectural and Landscape.

### Characteristic

Light source	: LED
Optical	: PC Lens modules : Multiple beams : Anti glare optic
Power correction factor	: > 0.9
Compliance	: IEC 60598, IEC 61347, IEC 62471
Ingress Protection (IP)	: IP66
Protection against surge (SPD)	: 20KA
Colour rendering (CRI)	: ≥ 70
Colour temperature (CCT)	: 3000K ~ 6000K
<i>Other CCT &amp; CRI available upon request</i>	
Weight	: 6.2 kg
Wattage	: 15W ~ 60W
Nominal efficacy	: ≥130 lm/W
Useful life	: > 50,000 hours ~ <i>Base on the light source</i>
Operating temperature range (Ta)	: -20°C~ 40°C
Driver	: Built-in high efficiency system
Main voltage	: 200 ~ 240V / 50~60Hz

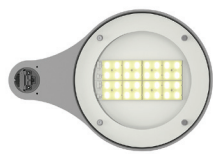
### Features

- High pressure die cast aluminium alloy housing.
- Corrosion resistant.
- Finished with polyester powder paint.
- Standard colour black
- Clear tempered glass.
- Tool free maintenance.
- Easy access from the top for maintenance.

### Product Speciality



Aesthetic Modern Design



Unique Lens Design with IK08 Tempered Glass



Top Access Opening for Easy Maintenance



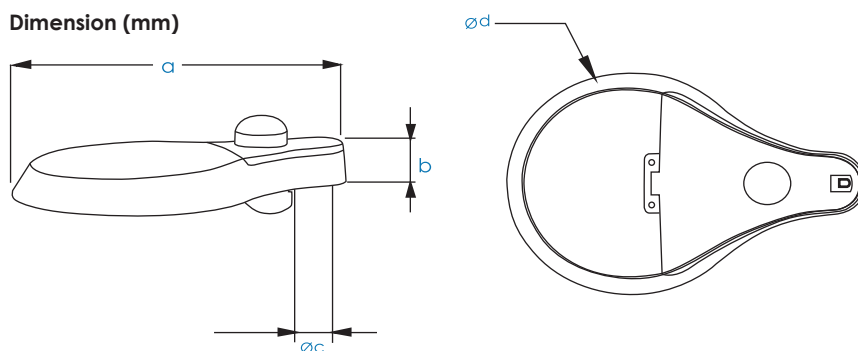
Smart Lighting Control Motion & Photocell Sensor

### Ordering Code Dimension : OPUS

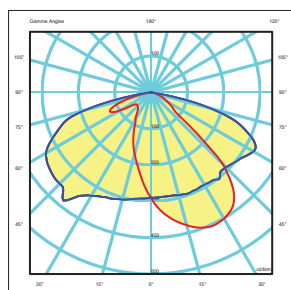
Code	Wattage	Leds	Nominal Flux	a	b	c	d	Weight(kg)
OPS01530	15W	16	1950	521	95	60	360	6.2
OPS02030	20W	16	2600	521	95	60	360	6.2
OPS04030	40W	16	5200	521	95	60	360	6.2
OPS06030	60W	32	7800	521	95	60	360	6.2
OPS08030	80W	32	10400	521	95	60	360	6.2

\* The above ordering code is base on CCT~3000K

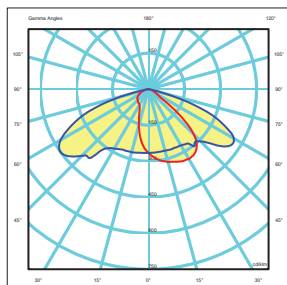
Dimension (mm)



Photometry T2M



Photometry T3A



Photometry T3M

